

# Vacsafe

## HEPA VACUUM CLEANER

INSTRUCTION MANUAL

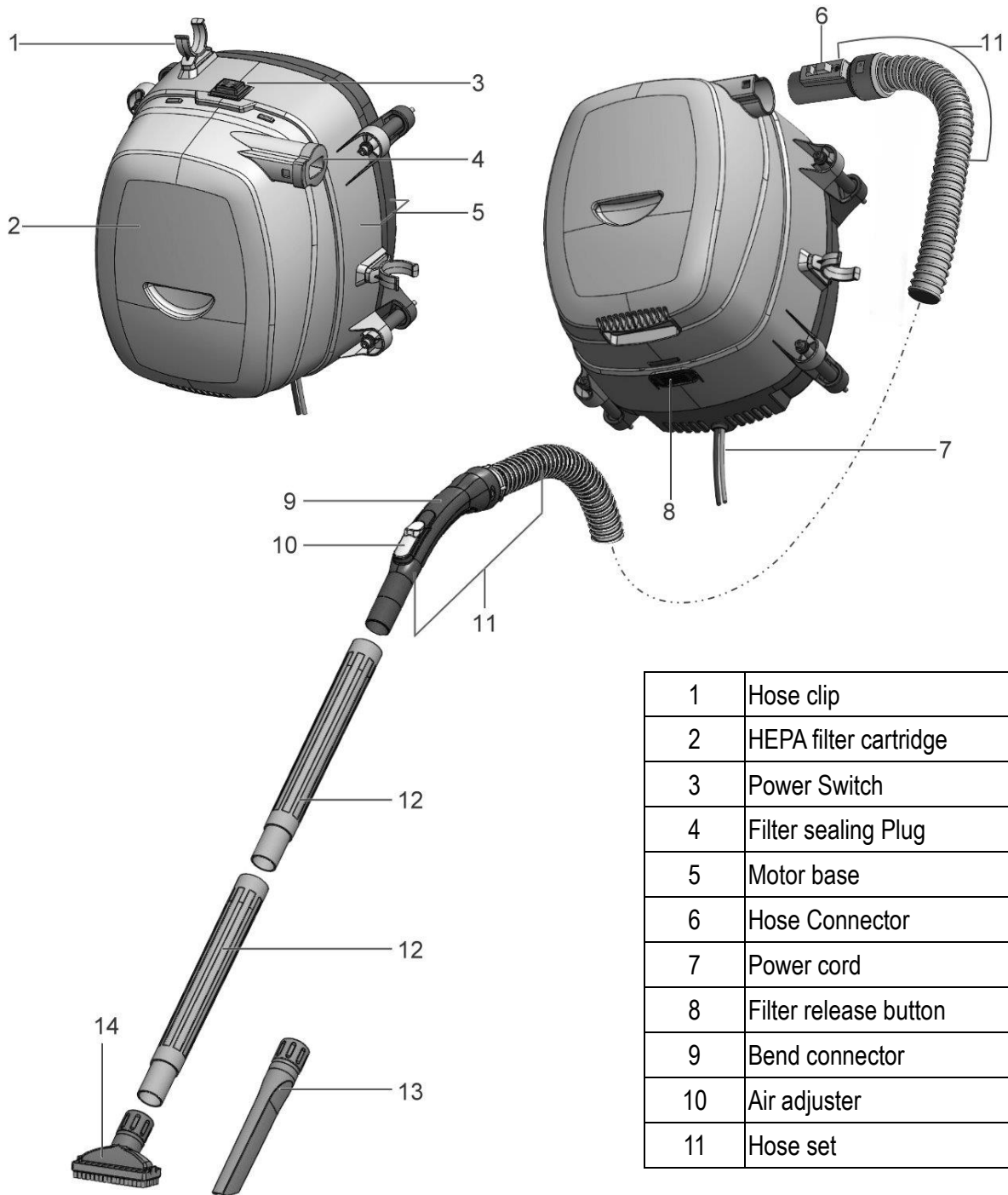
MODEL NO: TV4 / TV4X / TV2409

PLEASE READ THE INSTRUCTION MANUAL BEFORE OPERATION



CE

## TV4 PART NAMES

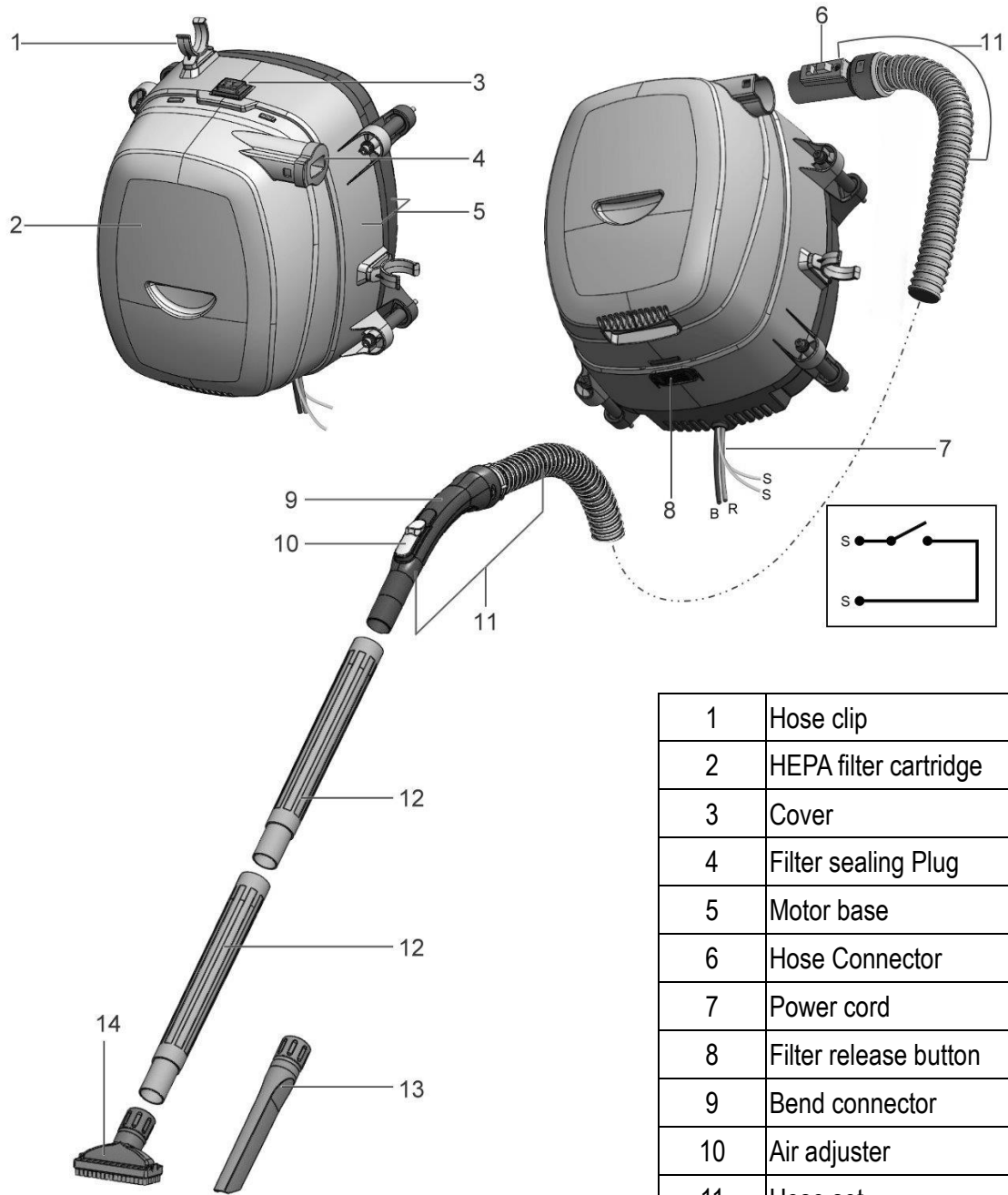


1	Hose clip
2	HEPA filter cartridge
3	Power Switch
4	Filter sealing Plug
5	Motor base
6	Hose Connector
7	Power cord
8	Filter release button
9	Bend connector
10	Air adjuster
11	Hose set

## Accessories:

No.	Description	Q'ty
11	Hose set	1
12	Extension pipe	2
13	Crevice tool	1
14	Upholstery nozzle	1

# TV4X PART NAMES

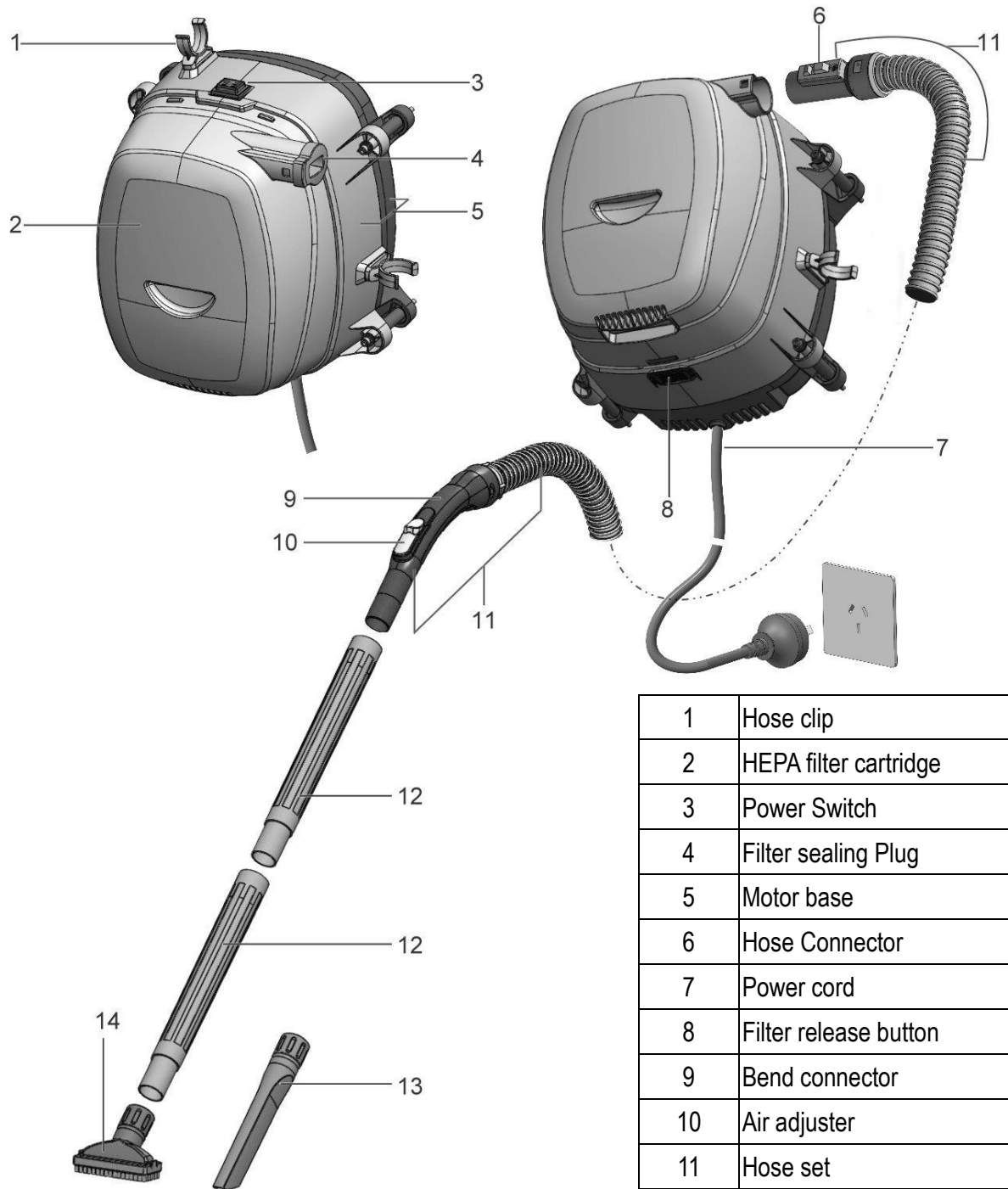


1	Hose clip
2	HEPA filter cartridge
3	Cover
4	Filter sealing Plug
5	Motor base
6	Hose Connector
7	Power cord
8	Filter release button
9	Bend connector
10	Air adjuster
11	Hose set

## Accessories:

No.	Description	Q'ty
11	Hose set	1
12	Extension pipe	2
13	Crevice tool	1
14	Upholstery nozzle	1

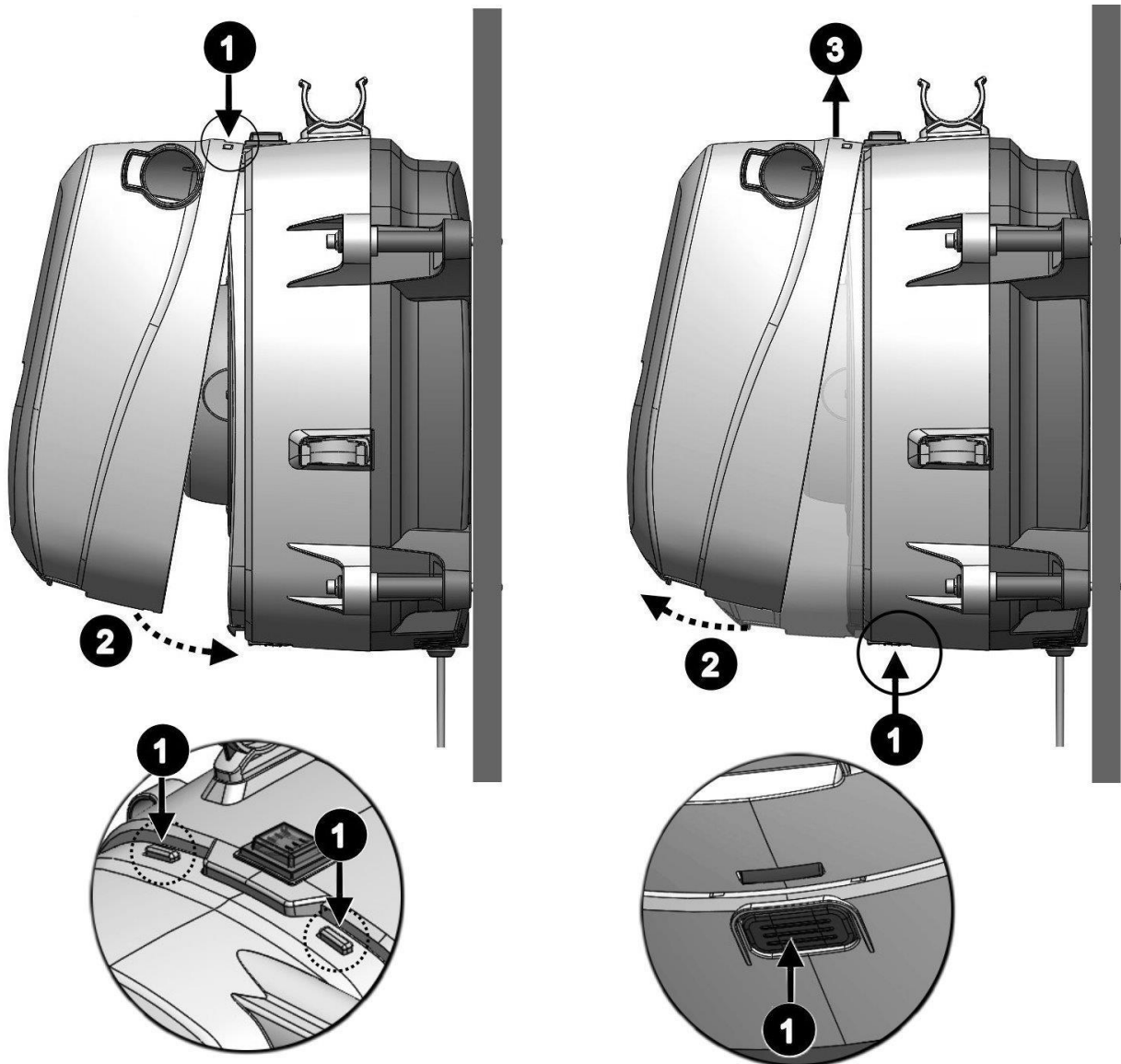
## TV2409 PART NAMES



## Accessories:

No.	Description	Qty
11	Hose set	1
12	Extension pipe	2
13	Crevice tool	1
14	Upholstery nozzle	1

## How to install the HEPA filter cartridge:



### Installation of HEPA filter cartridge:

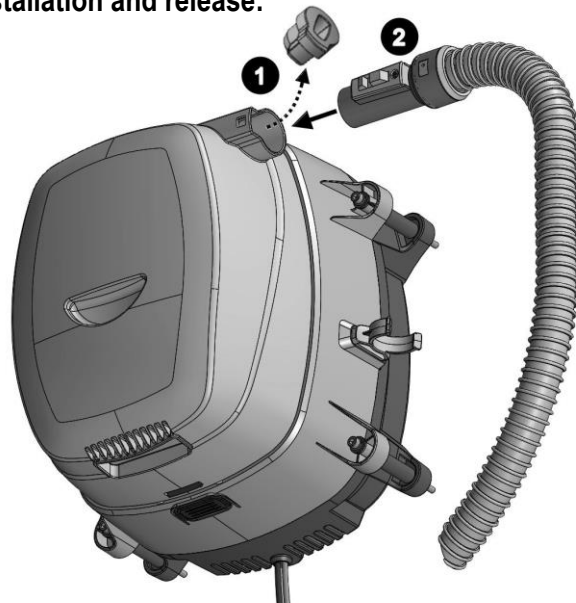
1. Please align the two holes in the HEPA filter cartridge with the two tabs on the motor body gently press into place.
2. Allow filter to hinge on these two tabs.
3. Press the filter down & in until the spring-loaded button clips into place. (as above 2).

### Removal of HEPA filter cartridge:

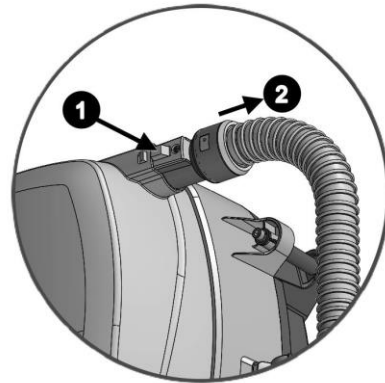
1. Remove hose & install filter sealing plug. (Item 4 New one supplied with new filter).
2. Push the filter release button to release the filter cartridge. (as above 1).
3. Then filter cartridge will spring back from the motor body (as above 2).
4. Lift filter gently up and off the two top tabs (as above 3).
5. Install new HEPA filter.

## How to assemble or modify the accessories:

### Hose installation and release:



### Release



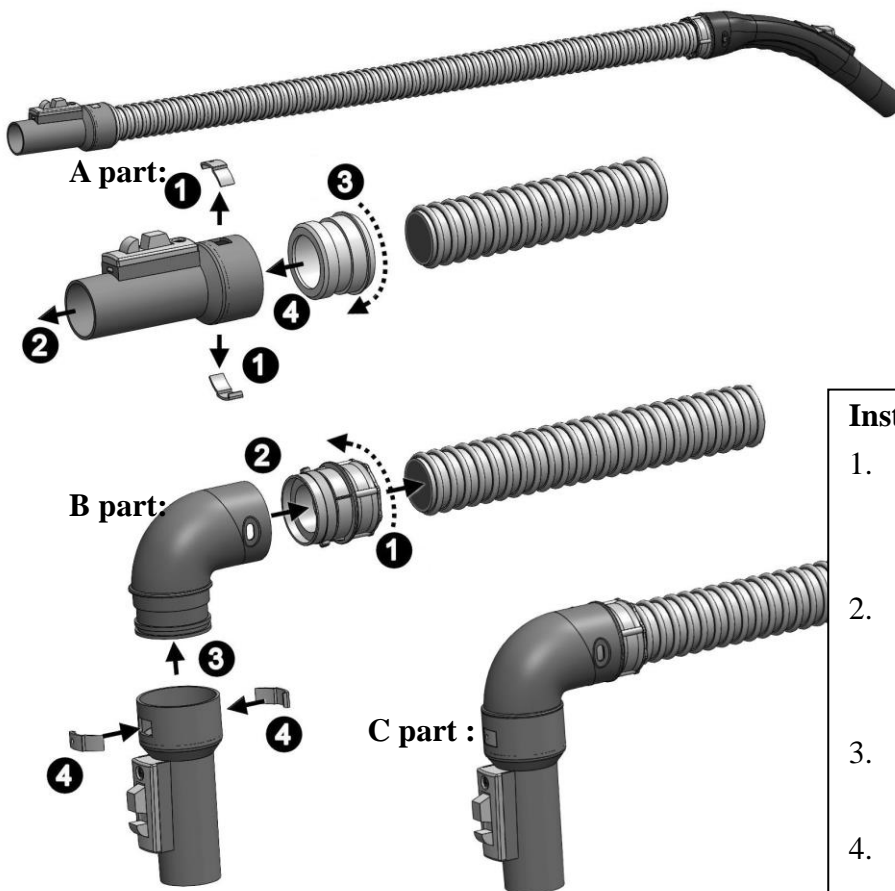
#### [Installation]

Remove filter cartridge sealing plug and connect hose into the suction hole. - \* Save the plug

#### [Release]

Press button down of connector to release hose.

## How to change connector of hose:



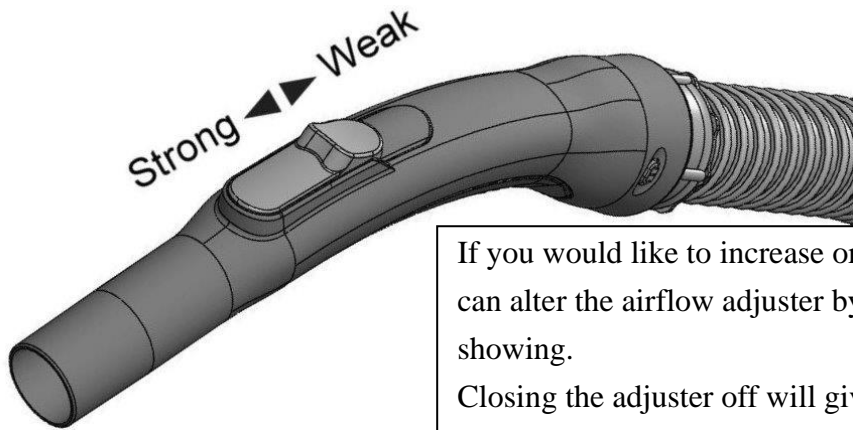
#### Disconnection (as A part):

1. Take a small flat screwdriver and insert it into the round hole of connecting piece (item 1), then flick out.
2. Remove connector (as 2).
3. Then turn counterclockwise direction to remove out inner connector (as 4).

#### Installation of 90 Deg elbow (as B part):

1. Rotate the inner connector into the hose until tight (item 1), turning in a clockwise direction.
2. Align the two holes in the 90 deg elbow with the two bumps, then press into the joint (2).
3. Then insert hose connector into 90 deg elbow (as 3).
4. Insert hose connector into 90 deg elbow and then slide connecting pieces on both sides of the hose connector to complete the hose assembly job (as C part).

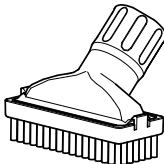
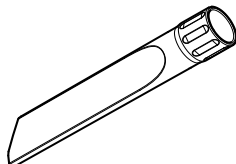
**Air adjuster function:**



If you would like to increase or decrease suction, you can alter the airflow adjuster by the above operation showing.

Closing the adjuster off will give you full airflow. (max capacity).

**Purposes of nozzles:**

Upholstery nozzle	Crevice tool
Purpose: for a small area, such as a seat, window, under a desk, etc.	Purpose: for window, narrow groove, corner, etc.
	

**Specification TV4 / TV4X:**

Voltage/Frequency	DC 24~28V
Amperage	Max 24 Amps (soft start)
Power rating (Watts)	650~730 W
Suction power	200W
Power cord length	35 cm
Tank capacity	6.2 L
Weight	6 KGS

**Specification TV2409:**

Voltage/Frequency	AC 230V
Amperage	Max 3 Amps (soft start)
Power rating (Watts)	700 W
Suction power	200W
Power cord length	5 M
Tank capacity	6.2 L
Weight	5 KGS

## Warning:

1. Do not immerse or wash the vacuum in water / to avoid electric shock.
2. DO NOT tilt or drop the cleaner.
3. DO NOT use the Vacuum for hot embers.
4. Do not open Vacuum cleaner electric shock hazard.  
(Servicing by qualified technicians only).
5. Do not attempt to clean the filter.

## Caution :

1. Please stop operation if the vacuum cleaner stops working and return the unit to an authorized service center.
2. When vacuum suction capacity slows down or motor shuts down.
  1. Check the nozzle, flexible hose, extension pipes if they are blocked or need cleaning.
  2. If clear, then replace the filter cartridge.
  3. Please note that HEPA filters cannot be cleaned.

To dispose of the old filter, install the sealing plug & dispose of it safely.

- If the power cord is damaged, it should be replaced by a qualified electrician.
- Do not connect an extension cord that does not match Australian specifications.



**Installation of vacuum cleaner:**

